

- Band 28, RF-Rx Block A SAW Filter
- Revision 0: January 2014

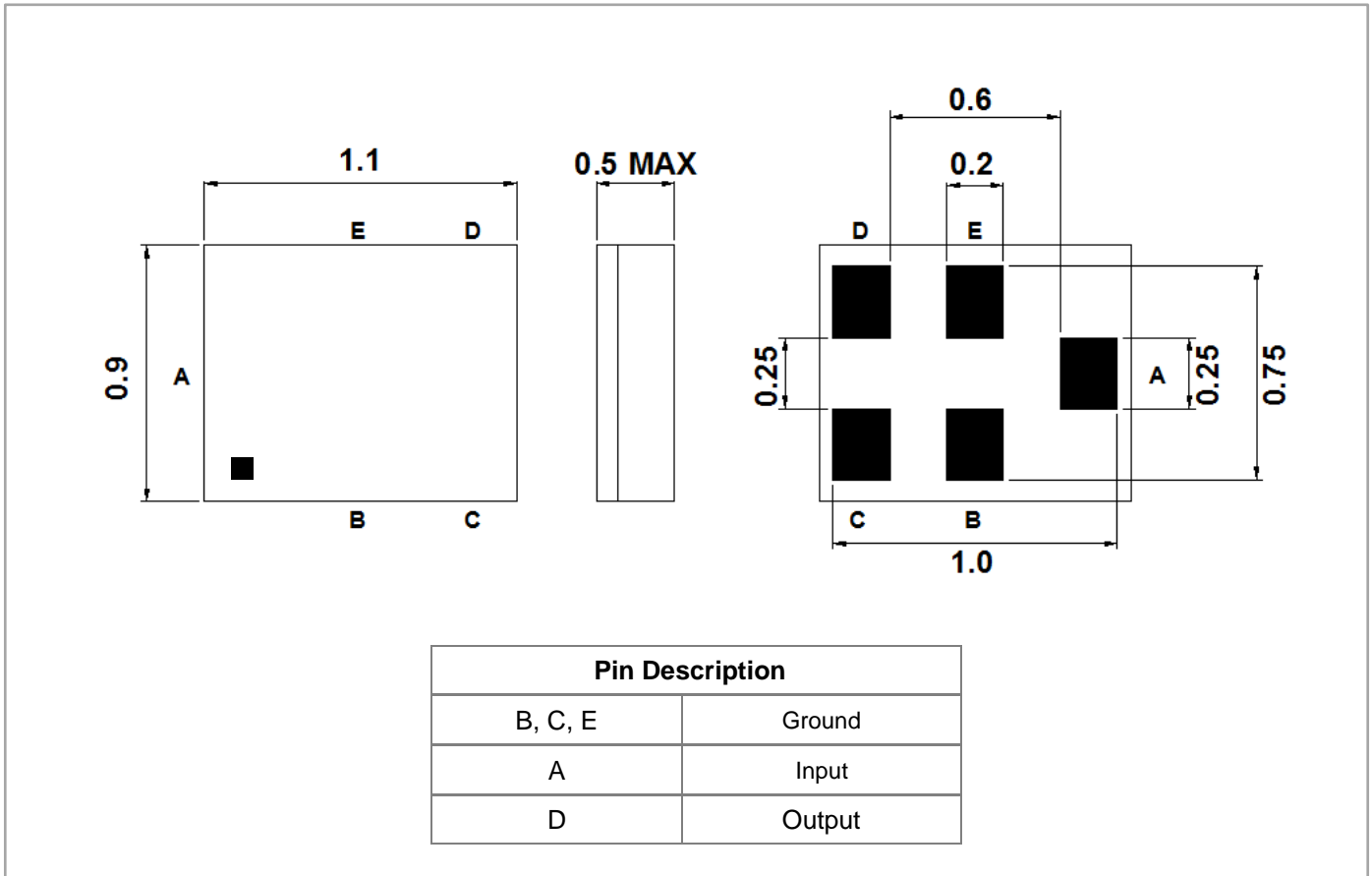
Electrical Characteristics

MAXIMUM RATING				
PARAMETERS DESCRIPTION	UNIT	MINIMUM	TYPICAL	MAXIMUM
Operating Temperature Range	°C	-30	-	+85
Storage Temperature Range	°C	-40	-	+85
Maximum DC Voltage	V	-	-	-
Maximum Input Power	dBm	-	-	15
Source Impedance (single ended) ⁽¹⁾	Ω	-	50	-
Load Impedance (Single ended) ⁽¹⁾	Ω	-	50	-
Package type & size	C13			
Length x Width	mm ²	-	1.1 x 0.9	-
Height	mm	-	-	0.5

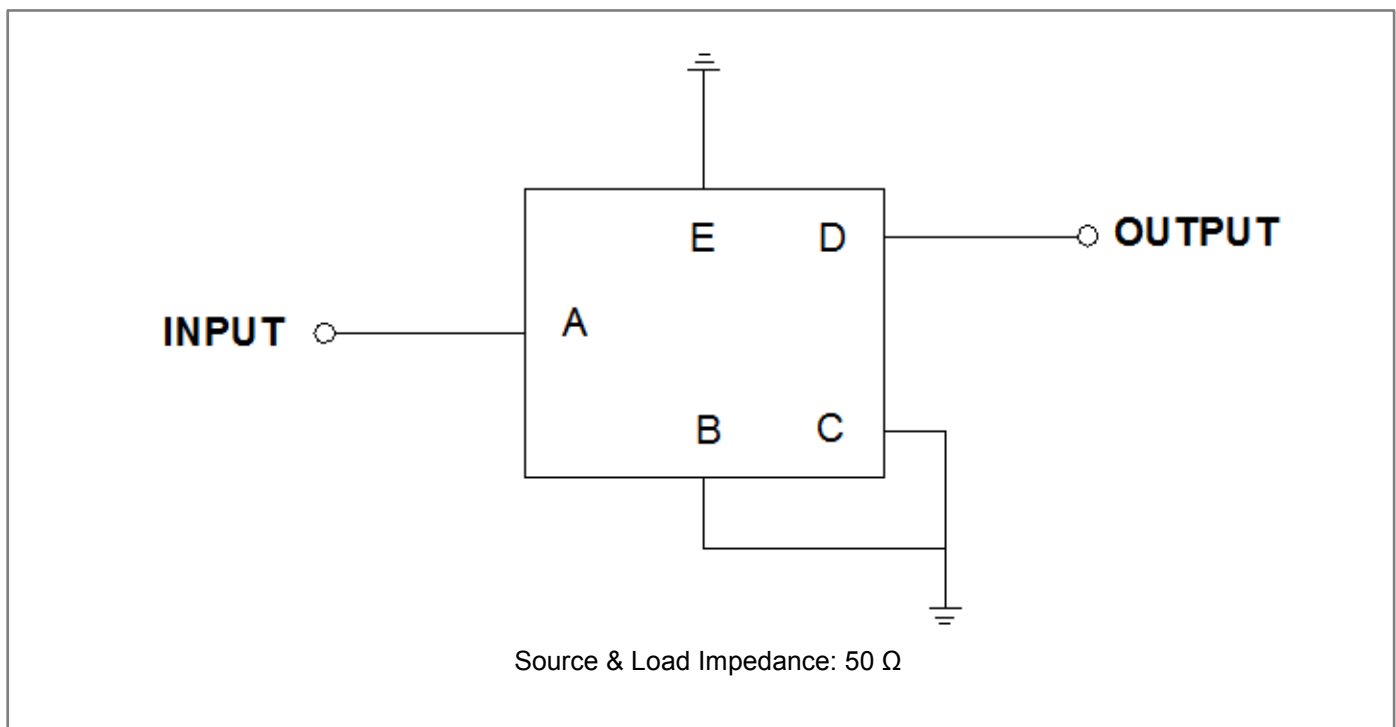
ELECTRICAL SPECIFICATION				
PARAMETERS		MINIMUM	TYPICAL	MAXIMUM
Center Frequency (Fo)	MHz	-	773.0	-
Insertion Loss within 758.0 ~ 788.0 MHz	dB	-	2.1	3.0
Amplitude Ripple within 758.0 ~ 788.0 MHz	dB _{p-p}	-	1.1	2.3
VSWR within 758.0 ~ 788.0 MHz	-	-	2.2	2.5
Attenuation				
703.0 ~ 733.0 MHz	dB	46	52	-
733.0 ~ 748.0 MHz	dB	46	53	-
1516.0 ~ 1576.0 MHz	dB	40	49	-
1559.0 ~ 1606.0 MHz	dB	40	48	-
2274.0 ~ 2364.0 MHz	dB	35	43	-
2400.0 ~ 2500.0 MHz	dB	35	43	-
3032.0 ~ 3152.0 MHz	dB	30	40	-
3790.0 ~ 3940.0 MHz	dB	30	39	-
4548.0 ~ 4728.0 MHz	dB	30	38	-
4900.0 ~ 5950.0 MHz	dB	30	37	-
5306.0 ~ 5516.0 MHz	dB	30	38	-
6064.0 ~ 6304.0 MHz	dB	30	39	-
6822.0 ~ 7092.0 MHz	dB	30	42	-
7580.0 ~ 7880.0 MHz	dB	25	49	-

Notes : (1) No Matching Network .

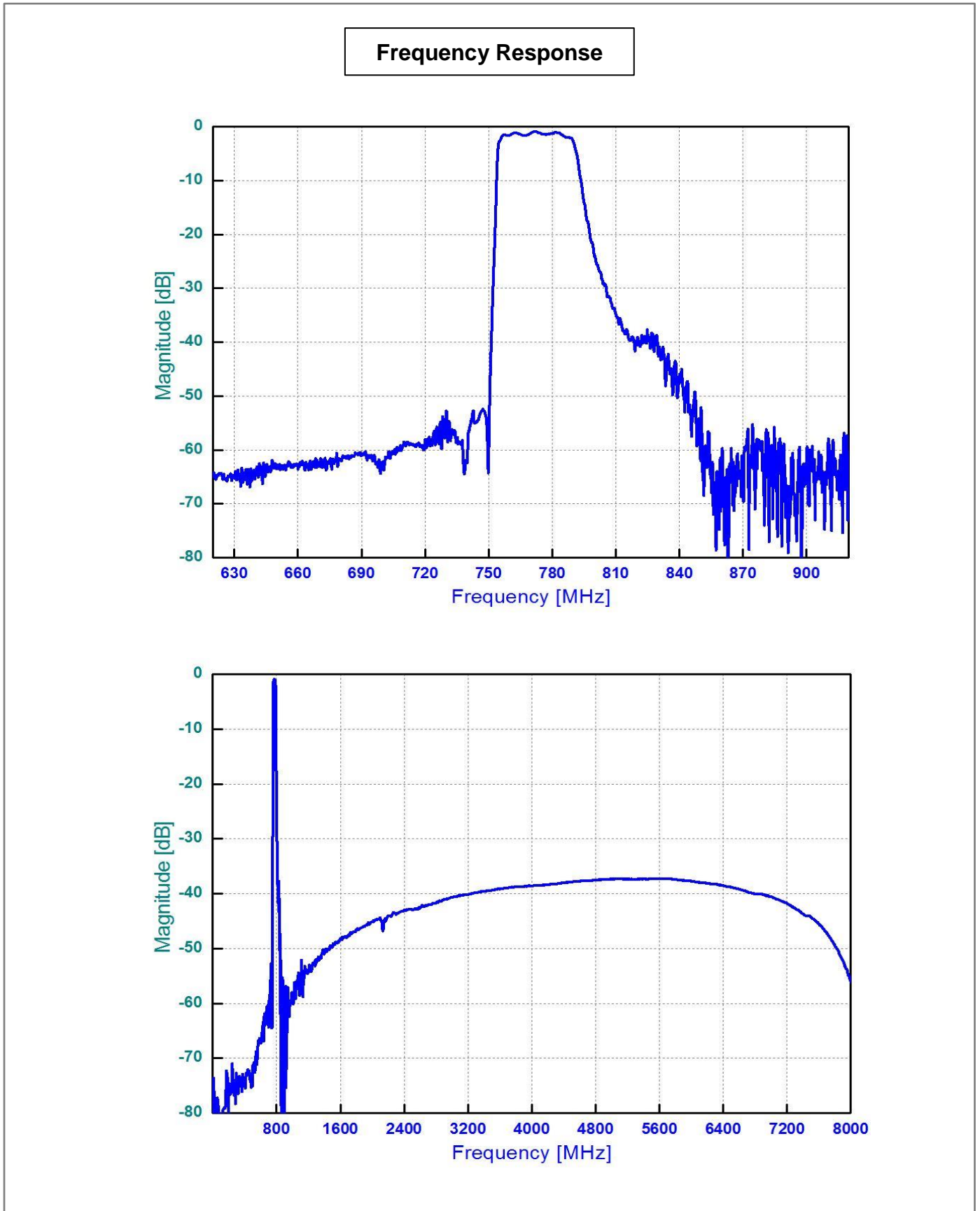
Package Dimensions



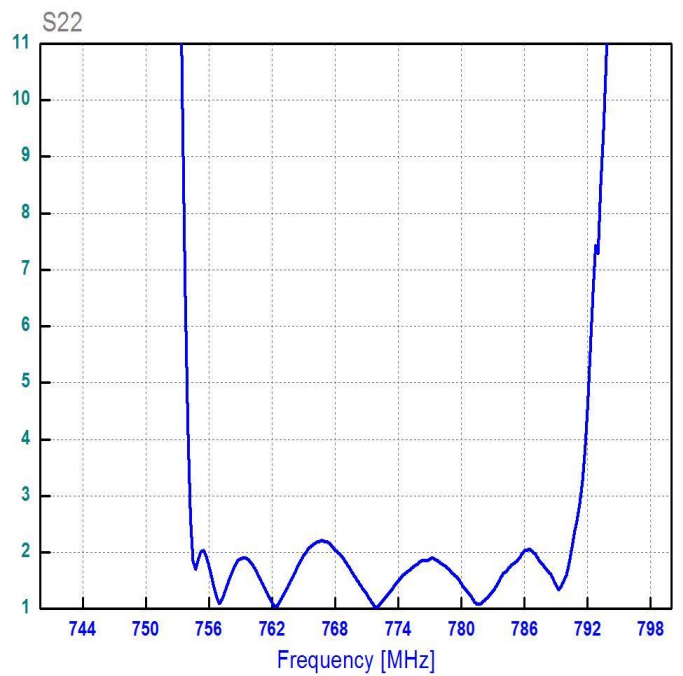
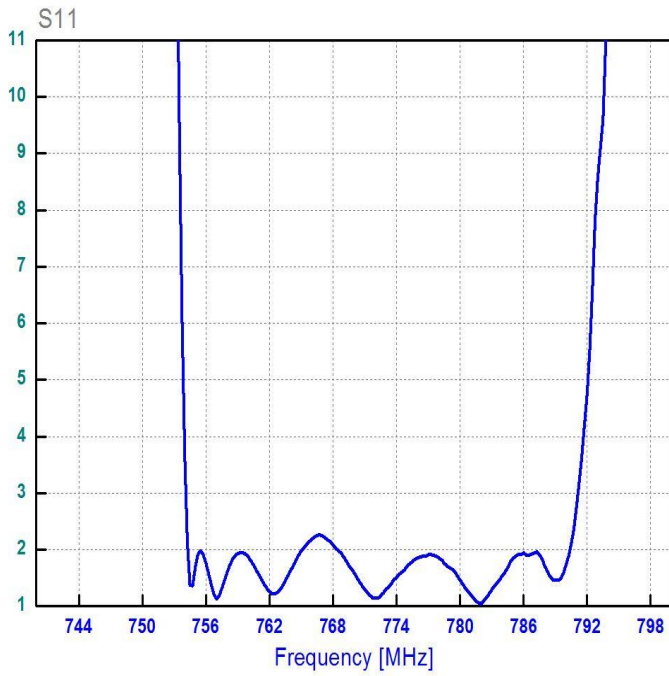
Testing Environment



Frequency Characteristics



VSWR



Smith Chart

